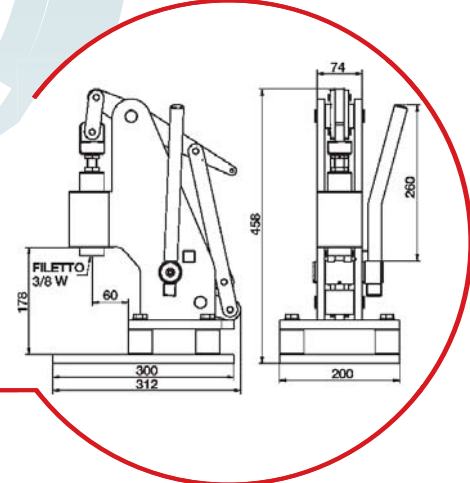


RIV2100 Manual press for self-clinching throat depth 85



Code 0286800



To place studs, nuts and standoffs from M2 to M8.

Extremely simple construction, high lever operating/pressing force ratio and highest safeguard while working. Press fundamental feature is the easy and quick interchange and adjusting of the punches and dies. It doesn't work with any energy source, apart the manual force, thanks to the lateral lever that with a move of 90° can enable a high pressure.

RIV2100 needs to be completed with punches and dies that suit the product to be installed (to be ordered separately).

Technical data and features

Height	400 mm
Width	200 mm
Length	300 mm
Weight	20 Kg
Pressing force (level operating force for 30 kg)	1600 Kg

Micrometric pressure regulation.
Micrometric stroke regulation.

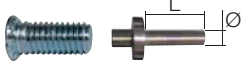
Set for studs RFH and RFHS

Punches



Ø x L	For studs	Code
6 x 32	M2-M5	2784000
10 x 40	M6-M8	2863100

Dies



Ø x L	For studs	Code
10 x 43	M2	2864000
10 x 43	M2.5	2863700
10 x 43	M3	2784100
11 x 43	M4	2784200
12 x 43	M5	2784300
13 X 43	M6	2784400
15 x 43	M8	2784500

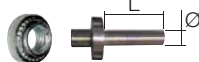
Set for nuts RS and RCLS

Punches



Ø x L	For nuts	Code
6 x 32	M2-M5	2784000
10 x 40	M6-M8	2863200

Dies



Ø x L	For nuts	Code
10 x 43	M2	2894700
10 x 43	M2.5	2784600
10 x 43	M3	2784600
12 x 43	M4	2784700
12 x 43	M5	2784800
14 X 43	M6	2784900
16 x 43	M8	2785000

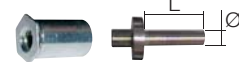
Set for standoffs RSO and RBSO

Punches



Ø x L	For standoffs	Code
6 x 32	M2-M5	2784000
10 x 40	M6-M8	2863100

Dies



Ø x L	For standoffs	Code
11 x 43	M3	2785100
12 x 43	M3.5	2785200
14 X 43	M4	2864100
14 x 43	M5	2864100

